

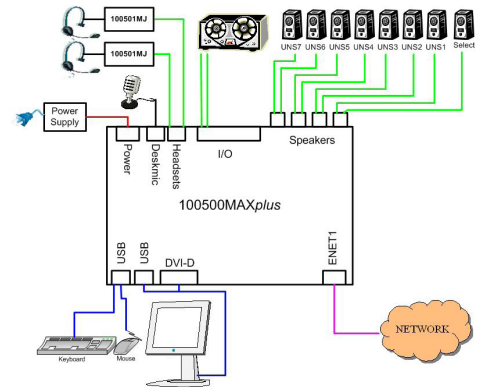
Mindshare 100500MAX MAX_{plus} Dispatch Processor

The Mindshare 100500MAX_{plus} Dispatch Processor is a complete dispatch workstation. It provides interfaces to all common audio accessories such as headset jacks, footswitches, speakers, desk microphones, a NENA telephone interface, and more. In addition it incorporates a 1.8GHz Core 2 Duo COM Express computer. This computer provides the user interface and does all the VoIP communications, utilizing the audio system via an internal USB connection. All of your dispatch position electronics in one sturdy metal enclosure.



Audio System Features:

The Mindshare 100500MAX_{plus} is designed specifically to satisfy the unique audio requirements of a dispatch console position. By utilizing the 100501MJ the MAX_{plus} can support up to two dual 1/4" TRS headset connections. The MAX_{plus} also will support up to eight 100508MS speakers, allowing for any spacial configuration desired by the dispatcher. The 100508MS speaker contains its own 9W amplifier powered over the standard 1/4 TRS audio cable. No power cords are required for each additional speaker which greatly simplifies the wiring of the position. The MAX_{plus} audio section also supports both electret and dynamic microphones. Other included interfaces includes two relay outputs, NENA telephone interface, dual footswitch inputs, Select and Mix 600 Ohm balanced recorder outputs that can also be sent to a recorder over the network by VoIP.



Processor Features:

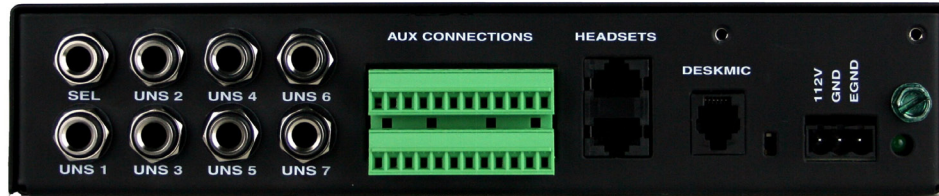
The processor portion of the MAX_{plus} is based on an industry standard COM Express single board computer (SBC). The SBC runs the Linux operating system. Linux provides a more stable operating environment and a better multi-tasking environment for high reliability communications systems. In addition, storage is provided on a solid state, industrial certified, PATA hard drive. External USB ports are provided for mice, keyboards, and touchscreens. A single 10/100 BaseTX connection connects both the SBC and the audio system to the network through an internal network switch.

Never before has a dispatch position been integrated as tightly as the Mindshare MAX_{plus}. With an audio system designed specifically for dispatcher use and ease of maintenance, and a high reliability integrated computer system inside the same box, space for new equipment will never be a concern again.

Features

- USB Interfaced Audio System
- Replaces inferior computer audio system
- 9 Output channels and 4 Microphones
- 8 Powered Speaker Outputs (1 Select, 7 Unselect)
- Dynamic and Electret Deskmic Interfaces
- Dual Simultaneous Headset/Handset Interfaces
- Echo Cancelled NENA Telephone Audio Interface
- Two Footswitch Inputs
- Two Auxiliary Relay Connections
- Two Auxilliary Diode Blocked Digital Inputs
- Single Power Supply voltage
- Integrated Dual Core 1.8GHz Processor
- 4GB PATA Solid State Drive
- 2GB DDR3 RAM Memory
- Ubuntu Linux Operating System

Mindshare MAX^{plus} Dispatch Audio System Accessories



Mindshare 100508MS Speaker Module

The Mindshare 100508MS Speaker Module is an optional accessory for the MAX^{plus} Audio and Accessory Interface, and is designed specifically for the requirements of communications dispatch consoles. In most applications, two of the 100508MS Speaker Modules would be installed at each console position and used for Selected and Unselected audio channels. However, up to eight Speaker Modules are supported by each Mindshare Audio and Accessory Interface, providing for great flexibility in creating monitor groups in separate speakers. Each Mindshare 100508MS Speaker Module is housed in a compact metal enclosure with volume control.

Dimensions: 5 3/4" w x 3 1/4" l x 7" h
 Weight: 3.4 pounds
 Connection: Single 1/4" TRS cable
 Audio Power: up to 9 watts RMS



Mindshare 100501MJ Operator Headset Jack

The Mindshare 100501MJ Operator Headset Jack is an optional accessory for the MAX^{plus} Audio and Accessory Interface that allows the use of standard dual-prong 4 and 6 conductor operator headsets. The 100501MJ is housed in a sturdy, compact metal enclosure with volume control that is designed to be conveniently installed at dispatch workstations. Up to two of the 100501MJ Mindshare Operator Headset Jacks can be used with each MAX^{plus} Position Audio Interface.

Dimensions: 4" w x 6 1/4" l x 2 1/4" h
 Weight: 1.2 pounds
 Connection: Standard 8 conductor Cat 5 cable + Earth Ground



Mindshare MAX^{plus} Dispatch Audio System Specifications

- Relays: User1 and User2
 - Maximum Voltage: 125VDC, 150VAC
 - Maximum Switched Current: 1A
 - Maximum Carrying Current: 1A
 - Maximum Switch Power: 30W (DC), 60VA (AC)
- Audio Ports: Speakers 1-8, Headset1 mic, Headset2 mic, Headset Ear, Deskmic, NENA RX, NENA TX, Aux Mic.
- Codec Gains: Inputs: 0 to 54dB in 1.5dB steps
 - Outputs: 0 to -54dB in -1.5dB steps
- Microphone Audio Compression: Less than 3dB change in microphone level for up to 12 dB below input level and 25dB above input level.
- Noise Floor: 45 dB below operating levels.
- Speakers: Up to 8 (100508MS). Integral 9W amplifier, powered from 100500MAX, individual front mounted volume controls.
- Headset Interface (100501MJ): 2 independent connections, independent volume control for each connection, independent microphone input for each, auto-sense connection
- Desk Microphone Connection: Dynamic and Electret supported
- Programmable Gains: Deskmic 0db or +26dB, Headset Microphones 0dB or -20dB, NENA RX 0dB or -20dB
- Audio Frequency Response: + 1/-3 dB, 300 to 3000 Hz except at the transmit tone notch frequency.
- Echo Cancelled NENA telephone interface
- Footswitch Inputs: Two.
- Auxiliary Inputs: Two
- Integral industrial grade single board embedded processor. (Core 2 Duo 1.8GHz)
- 2GB DDR3 RAM memory standard
- 4GB PATA Industrial Grade Solid State Disk
- Ubuntu Linux operating system
- External connection for DVI-D video. Resolutions up to 1600x1200 24bit color
- External connection for 4 USB connections
- Power button
- Internal and External Network activity indications
- Computer power and HDD activity LEDs
- Network Connection: Single, full duplex 10/100 auto-sensing, switch operation, Ethernet, RJ45
- Mounting plate is included to allow the unit to be placed in any convenient, out of the way, space
- Dimensions: 9.5" Wide, 8.25" Deep, 2" high, 3.8 pounds.
- Operating Temperature Range: 0 to +50 degree C.
- Power Requirements: 85-240 VAC, 50-60Hz, 72W, or 13.8 Vdc at 5.2 A maximum, UL1459 listed.

Made in the USA.

Note: Specifications are subject to change without notice.